

ORDERING PRODUCTS WITH REFERENCE TO SHOP DRAWINGS: Before ordering the Marvin Window and Door products illustrated within these shop drawings, a copy of these drawings accompanied by an approved signature of the purchaser must be returned to the Architectural Division at Marvin Windows & Doors, P.O. Box 100, Winona, Minnesota 55989. If the Marvin products included herein are ordered without reference to shop drawings, the purchaser assumes no responsibility in guaranteeing product coordination with the drawings.

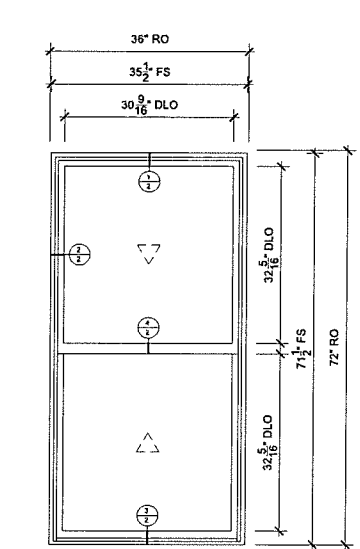
REVISION:

CREATED: 09/31/2021

PK VERSION: 0003.10.00

QUOTE#: EY1562G

PROJ/JOB: MBVT / 483 Manhattan Dr
 DIST/DEALER: WINDOWS & DOORS BY BROWNELL-GO
 DRAWN: NOAH BOETSMAN

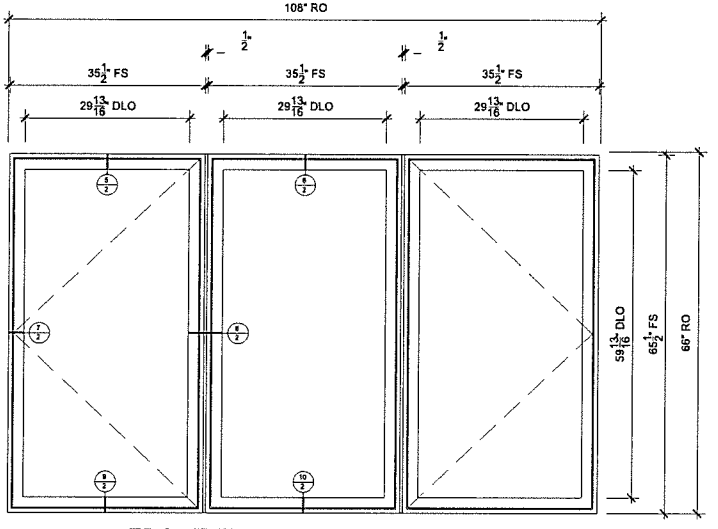


FRONT ELEVATION - DH
 SCALE: 3/4" = 1'-0"

SPECIFICATIONS

Mark Unit: Front Elevation - DH
 Product Line: Essential
 Unit Description: Double Hung
 Rough Opening: 36" X 72"
 Frame Size: 35 1/2" X 71 1/2"
 Sash Opening: 36" X 72"
 Exterior Finish: Ebony
 Interior Finish: Ebony
 Glass Information: IG, Low E2 w/Argon, Stainless
 Hardware Type: Sash Lock
 Hardware Color: Matte Black, Ebony
 Jamb Depth: 2" Base Frame

FOR DESIGN INTENT ONLY, NOT FOR MANUFACTURE.

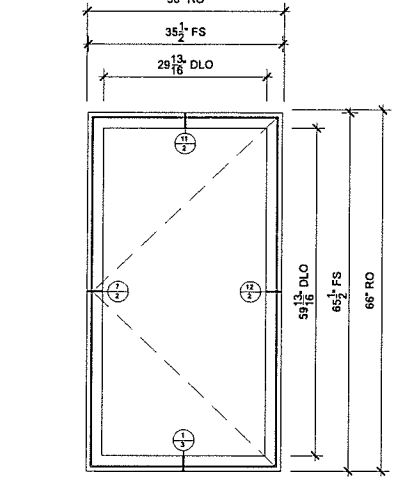


FRONT ELEVATION - 3-WIDE CA
 SCALE: 3/4" = 1'-0"

SPECIFICATIONS

Mark Unit: Front Elevation - 3-Wide CA
 Product Line: Essential
 Unit Description: Essential Assembly
 Rough Opening: 108" X 66"
 Frame Size: 107 1/2" X 65 1/2"
 Sash Opening: 108" X 66"
 Exterior Finish: Ebony
 Interior Finish: Ebony
 Glass Information: IG, Low E2 w/Argon, Stainless
 Hardware Type: [A1/A3] Folding Handle, Sash Limiter : None, [A2] None
 Hardware Color: [A1/A3] Matte Black, [A2] None
 Jamb Depth: 2" Base Frame

FOR DESIGN INTENT ONLY, NOT FOR MANUFACTURE.

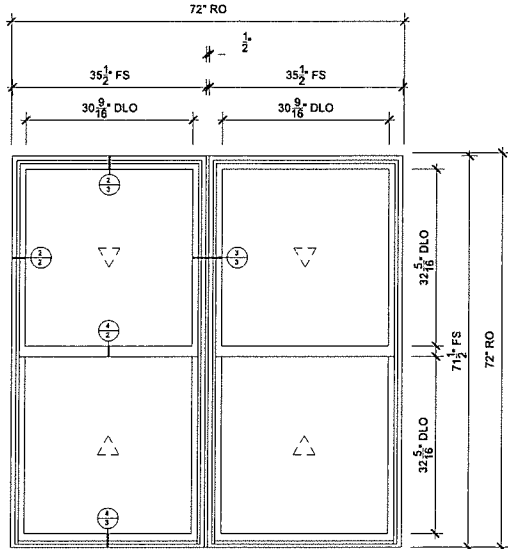


FRONT ELEVATION - CASEMENT
 SCALE: 3/4" = 1'-0"

SPECIFICATIONS

Mark Unit: Front Elevation - Casement
 Product Line: Essential
 Unit Description: Casement
 Rough Opening: 36" X 66"
 Frame Size: 35 1/2" X 65 1/2"
 Sash Opening: 36" X 66"
 Exterior Finish: Ebony
 Interior Finish: Ebony
 Glass Information: IG, Low E2 w/Argon, Stainless
 Hardware Type: Folding Handle, Sash Limiter : None
 Hardware Color: Matte Black
 Jamb Depth: 2" Base Frame

FOR DESIGN INTENT ONLY, NOT FOR MANUFACTURE.

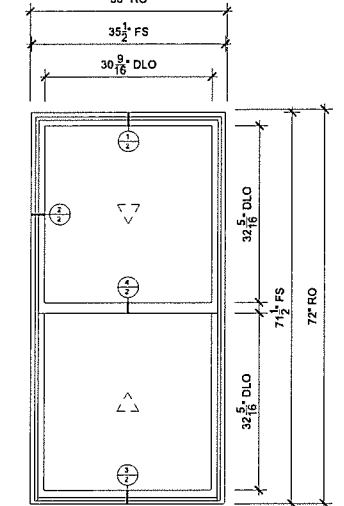


REAR ELEVATION - 2-WIDE DH
 SCALE: 3/4" = 1'-0"

SPECIFICATIONS

Mark Unit: Rear Elevation - 2-Wide DH
 Product Line: Essential
 Unit Description: Double Hung
 Rough Opening: 72" X 72"
 Frame Size: 71 1/2" X 71 1/2"
 Sash Opening: 72" X 72"
 Exterior Finish: Ebony
 Interior Finish: Ebony
 Glass Information: IG, Low E2 w/Argon, Stainless
 Hardware Type: Sash Lock
 Hardware Color: Matte Black, Ebony
 Jamb Depth: 2" Base Frame

FOR DESIGN INTENT ONLY, NOT FOR MANUFACTURE.

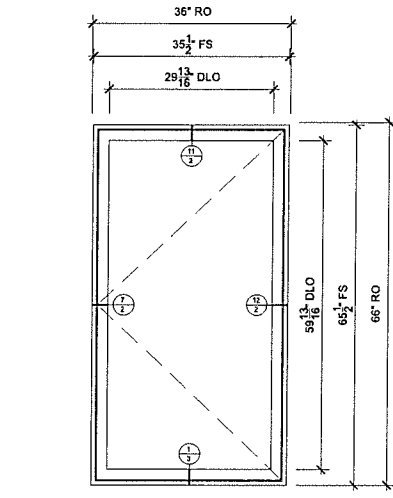


REAR ELEVATION - DH
 SCALE: 3/4" = 1'-0"

SPECIFICATIONS

Mark Unit: Rear Elevation - DH
 Product Line: Essential
 Unit Description: Double Hung
 Rough Opening: 36" X 72"
 Frame Size: 35 1/2" X 71 1/2"
 Sash Opening: 36" X 72"
 Exterior Finish: Ebony
 Interior Finish: Ebony
 Glass Information: IG, Low E2 w/Argon, Stainless
 Hardware Type: Sash Lock
 Hardware Color: Matte Black, Ebony
 Jamb Depth: 2" Base Frame

FOR DESIGN INTENT ONLY, NOT FOR MANUFACTURE.

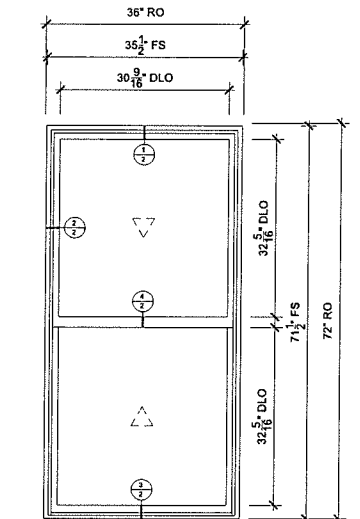


SIDE ELEVATION 01- CASEMENT
 SCALE: 3/4" = 1'-0"

SPECIFICATIONS

Mark Unit: Side Elevation 01- Casement
 Product Line: Essential
 Unit Description: Casement
 Rough Opening: 36" X 66"
 Frame Size: 35 1/2" X 65 1/2"
 Sash Opening: 36" X 66"
 Exterior Finish: Ebony
 Interior Finish: Ebony
 Glass Information: IG, Low E2 w/Argon, Stainless
 Hardware Type: Folding Handle, Sash Limiter : None
 Hardware Color: Matte Black
 Jamb Depth: 2" Base Frame

FOR DESIGN INTENT ONLY, NOT FOR MANUFACTURE.

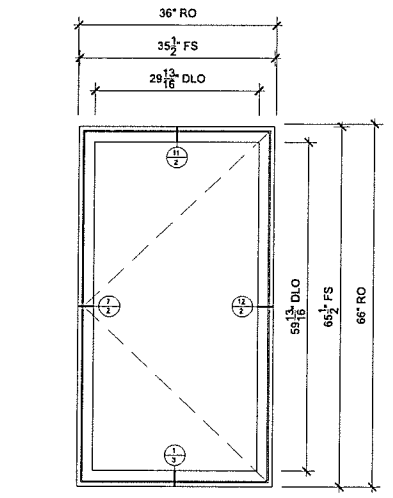


SIDE ELEVATION 02- DH
 SCALE: 3/4" = 1'-0"

SPECIFICATIONS

Mark Unit: Side Elevation 02- DH
 Product Line: Essential
 Unit Description: Double Hung
 Rough Opening: 36" X 72"
 Frame Size: 35 1/2" X 71 1/2"
 Sash Opening: 36" X 72"
 Exterior Finish: Ebony
 Interior Finish: Ebony
 Glass Information: IG, Low E2 w/Argon, Stainless
 Hardware Type: Sash Lock
 Hardware Color: Matte Black, Ebony
 Jamb Depth: 2" Base Frame

FOR DESIGN INTENT ONLY, NOT FOR MANUFACTURE.



SIDE ELEVATION 02- CASEMENT
 SCALE: 3/4" = 1'-0"

SPECIFICATIONS

Mark Unit: Side Elevation 02- Casement
 Product Line: Essential
 Unit Description: Casement
 Rough Opening: 36" X 66"
 Frame Size: 35 1/2" X 65 1/2"
 Sash Opening: 36" X 66"
 Exterior Finish: Ebony
 Interior Finish: Ebony
 Glass Information: IG, Low E2 w/Argon, Stainless
 Hardware Type: Folding Handle, Sash Limiter : None
 Hardware Color: Matte Black
 Jamb Depth: 2" Base Frame

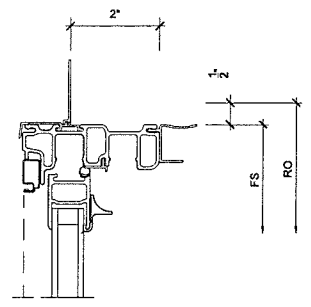
FOR DESIGN INTENT ONLY, NOT FOR MANUFACTURE.

ORDERING PRODUCTS WITH REFERENCE TO SHOP DRAWINGS:
 Before ordering the Marvin Window and Door products illustrated within these shop drawings, a copy of these drawings accompanied by an approved signature of the purchaser must be returned to the Architectural Division at Marvin Windows & Doors, P.O. Box 100, Warroad, Minnesota 56581. These products are sold without reference to the approved shop drawings. Marvin Windows & Doors assumes no responsibility in guaranteeing product coordination with the drawings.

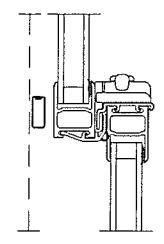
CREATED: 08/31/2021 REVISION:

PK VERSION: 0003.10.00

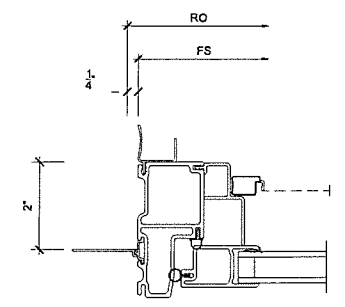
PROJ/JOB: MBVT / 483 Manhattan Dr
 DIST/DEALER: WINDOWS & DOORS BY BROWNELL-GO
 DRAWN: NOAH BOETSMA
 QUOTE#: EY1562G



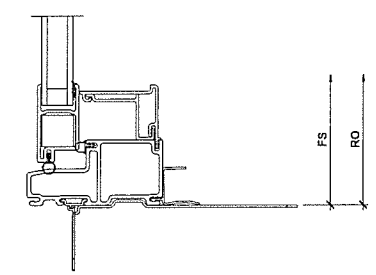
1 Head
 2 SCALE: 6" = 1'-0"



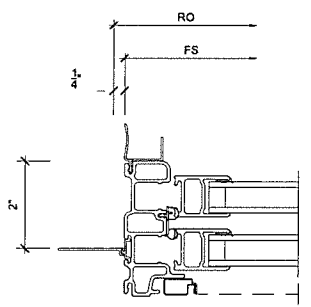
4 Check Rail
 2 SCALE: 6" = 1'-0"



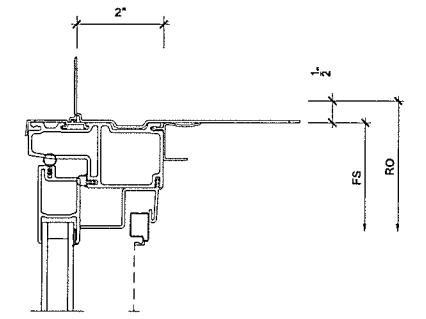
7 Jamb
 2 SCALE: 6" = 1'-0"



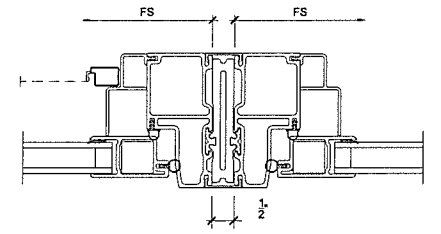
10 Sill
 2 SCALE: 6" = 1'-0"



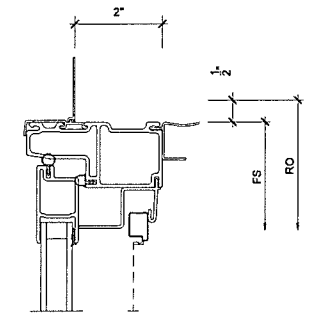
2 Jamb
 2 SCALE: 6" = 1'-0"



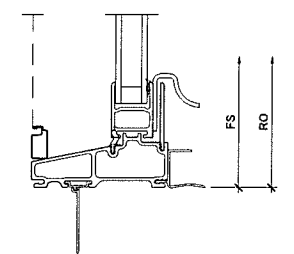
5 Head
 2 SCALE: 6" = 1'-0"



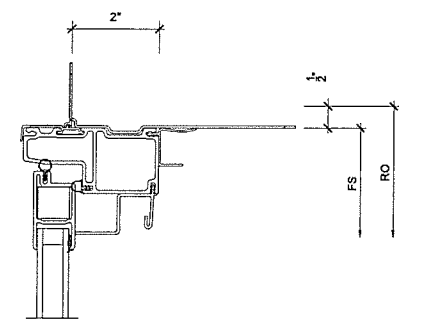
8 Vertical Mullion
 2 SCALE: 6" = 1'-0"



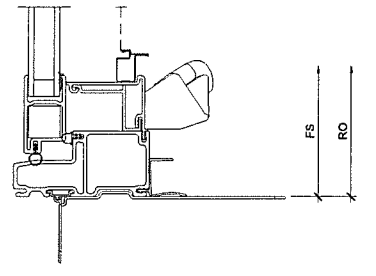
11 Head
 2 SCALE: 6" = 1'-0"



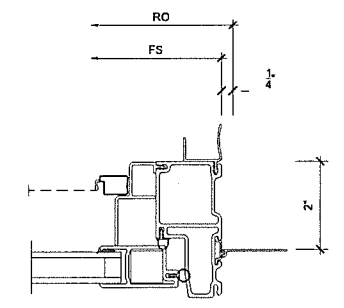
3 Sill
 2 SCALE: 6" = 1'-0"



6 Head
 2 SCALE: 6" = 1'-0"



9 Sill
 2 SCALE: 6" = 1'-0"

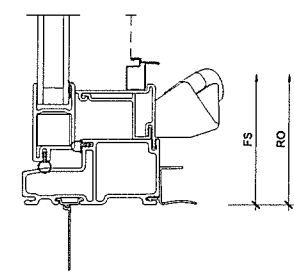


12 Jamb
 2 SCALE: 6" = 1'-0"

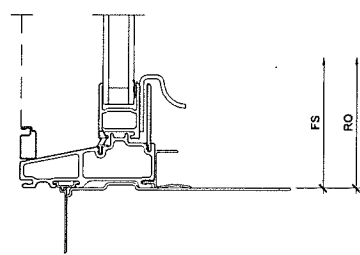
ORDERING PRODUCTS WITH REFERENCE TO SHOP DRAWINGS:
 Before ordering the Marvin Window and Door products illustrated within these shop drawings, a copy of these drawings accompanied by an approved signature of the purchaser must be returned to the Architectural Division at Marvin Windows & Doors, P.O. Box 100, Warroad, Minnesota 56763. If the Marvin products included herein are ordered without reference to the above shop drawings, Marvin Windows and Door's assumes no responsibility in guaranteeing product coordination with the drawings.

CREATED: 08/31/2021
 REVISION:

PROJ/JOB: MBVT / 483 Manhattan Dr
 DIST/DEALER: WINDOWS & DOORS BY BROWNELL-GO
 DRAWN: NOAH BOETSMA
 QUOTE#: EY1562G
 PK VERSION: 0003.10.00



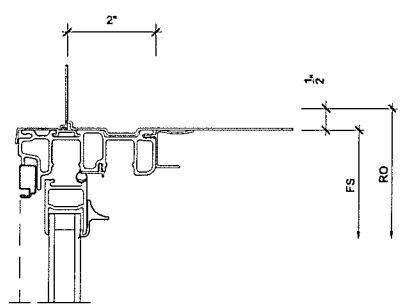
1
3 Sill SCALE: 6" = 1'-0"



4
3 Sill SCALE: 6" = 1'-0"

7
3 NOT USED SCALE: 6" = 1'-0"

10
3 NOT USED SCALE: 6" = 1'-0"

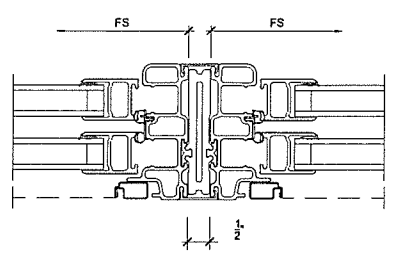


2
3 Head SCALE: 6" = 1'-0"

5
3 NOT USED SCALE: 6" = 1'-0"

8
3 NOT USED SCALE: 6" = 1'-0"

11
3 NOT USED SCALE: 6" = 1'-0"



3
3 Vertical Mullion SCALE: 6" = 1'-0"

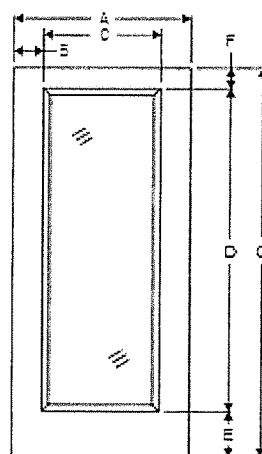
6
3 NOT USED SCALE: 6" = 1'-0"

9
3 NOT USED SCALE: 6" = 1'-0"

12
3 NOT USED SCALE: 6" = 1'-0"

THERMA TRU
DOORS

**6/8 Fiber-Classic/
Smooth-Star/ Steel**



Full Lite Flush

Daylight Opening:

1464	13" x 63"	(619 sq.in.)
1664	14-31/32" x 62-31/32"	(841 sq.in.)
2064	18-29/32" x 62-29/32"	(1169 sq.in.)
2264	20-15/16" x 62-15/16"	(1317 sq.in.)

Notes:
For Optional Grille Locations, See Arch 1.
Impact Options Available.
Noise Reduction Options Available.

Available in:
Fiber-Classic Oak
Fiber-Classic Mahogany
Smooth-Star
Profiles
Traditions

Fiber-Classic
Smooth-Star
Steel Panel
Dimensions

Fiber-Classic and Smooth-Star										
Width	Glass	A	B	C	D	E (6/6)	E (6/8)	E (7/0)	F (6/6, 6/8)	F (7/0)
2/0Δ	1464	24"	4-1/8"	15-3/4"	65-3/4"	6-23/32"	9-9/32"	-	4-7/32"	-
2/4Δ	1664	28"	5-1/32"	17-31/32"	65-31/32"	6-5/8"	9-3/16"	-	4-1/8"	-
2/6Δ	2064	30"	4-1/16"	21-29/32"	65-29/32"	6-21/32"	9-7/32"	-	4-5/32"	-
2/6N	2064	32"	5-1/16"	21-29/32"	65-29/32"	6-21/32"	9-7/32"	-	4-5/32"	-
2/8	2264	32"	4-1/16"	23-7/8"	65-7/8"	6-21/32"	9-7/32"	10-11/32"	4-5/32"	7-1/32"
2/10	2264	34"	5-1/16"	23-7/8"	65-7/8"	6-21/32"	9-7/32"	10-11/32"	4-5/32"	7-1/32"
3/0	2264	36"	6-1/16"	23-7/8"	65-7/8"	6-21/32"	9-7/32"	10-11/32"	4-5/32"	7-1/32"
3/6†	2264	42"	9-1/16"	23-7/8"	65-7/8"	6-21/32"	9-7/32"	10-11/32"	4-5/32"	7-1/32"

†Only available in 6/8 Smooth-Star.
‡Not available in 7/0 Smooth-Star.
§Only available in 6/6 and 6/8.
ΔOnly available in 6/8.

Profiles and Traditions										
Width	Glass	A	B	C	D	E (6/6)	E (6/8)	E (7/0)	F (6/6 & 6/8)	F (7/0)
2/0Δ	1464	23-31/32"	4-1/8"	15-3/4"	65-3/4"	6-13/16"	9-3/8"	-	4-1/8"	-
2/0Δ	1464 Impact	23-31/32"	4-1/16"	15-7/8"	65-7/8"	6-3/4"	9-5/16"	-	4-3/32"	-
2/4Δ	1664	27-31/32"	5"	17-31/32"	65-31/32"	6-5/8"	9-3/16"	-	4-1/8"	-
2/6N	1664	29-31/32"	5"	17-31/32"	65-31/32"	6-5/8"	9-3/16"	-	4-1/8"	-
2/6	2064	29-31/32"	4-1/32"	21-29/32"	65-29/32"	6-21/32"	9-7/32"	10-11/32"	4-5/32"	7"
2/6N	2064	31-31/32"	5-1/32"	21-29/32"	65-29/32"	6-21/32"	9-7/32"	10-11/32"	4-5/32"	7"
2/8	2264	31-31/32"	4-1/16"	23-7/8"	65-7/8"	6-21/32"	9-7/32"	10-11/32"	4-5/32"	7-1/32"
2/10	2264	33-31/32"	5-1/16"	23-7/8"	65-7/8"	6-21/32"	9-7/32"	10-11/32"	4-5/32"	7-1/32"
3/0	2264	35-31/32"	6-1/16"	23-7/8"	65-7/8"	6-21/32"	9-7/32"	10-11/32"	4-5/32"	7-1/32"
3/6†	2264	41-31/32"	9-1/16"	23-7/8"	65-7/8"	6-21/32"	9-7/32"	10-11/32"	4-5/32"	7-1/32"

†Only available in Profiles.
‡Only available in 6/6 and 6/8.

Fiber-Classic and Smooth-Star	
Height	G
6/6	76-11/16"
6/8	75-1/4"
7/0	83-1/4"

‡Not available in Fiber-Classic Mahogany.

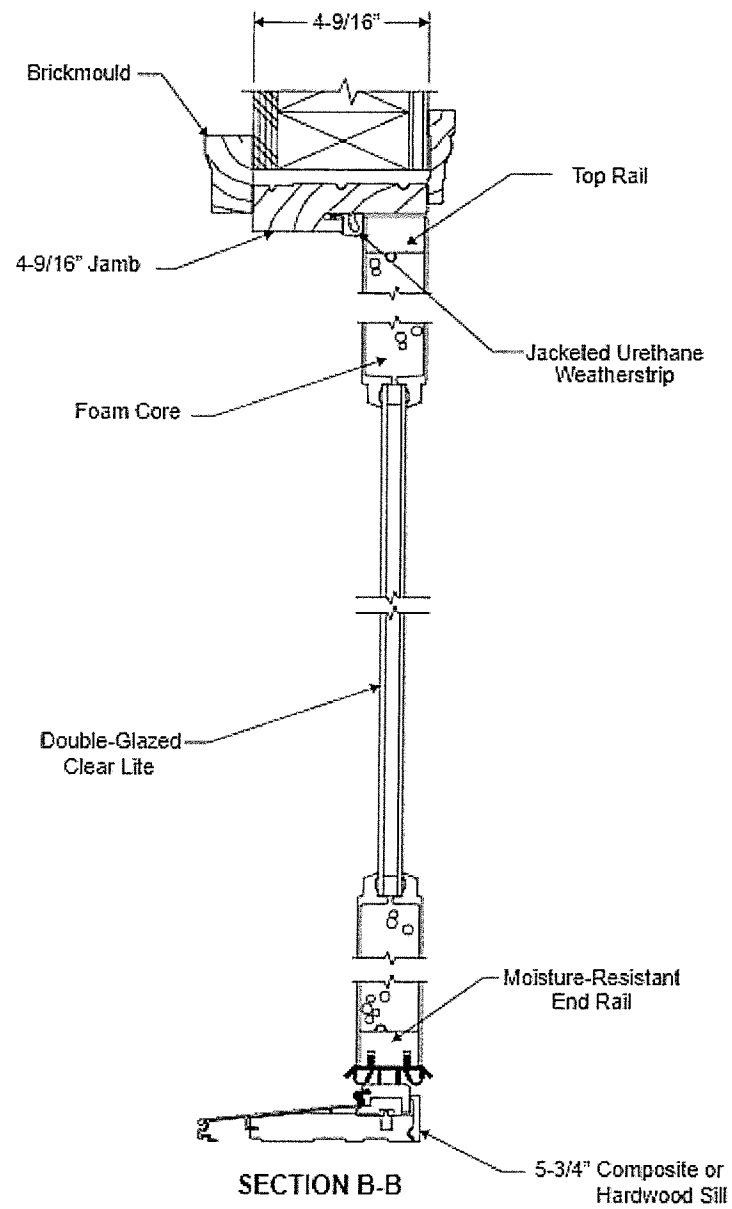
Profiles and Traditions	
Height	G
6/6=	76-11/16"
6/8	79-1/4"
7/0*	83-1/4"

*Only available in Traditions.
†Only available in Profiles.
‡Only available in 2/4 and 2/10.

THERMA TRU
DOORS

Smooth-Star Flush-Glazed

Architectural
Details



Arch 2

2021 (BOOK SIZE)

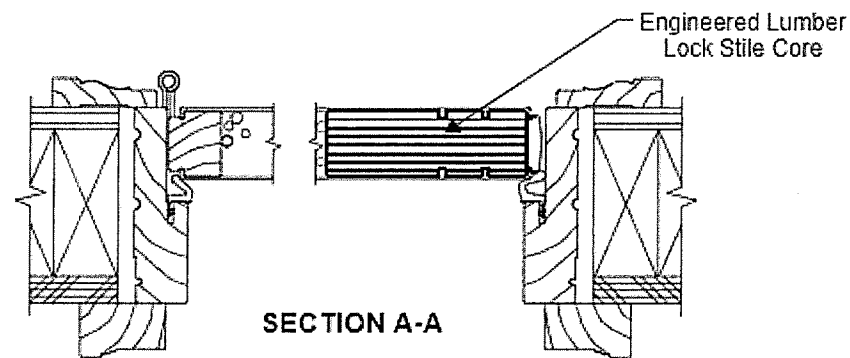
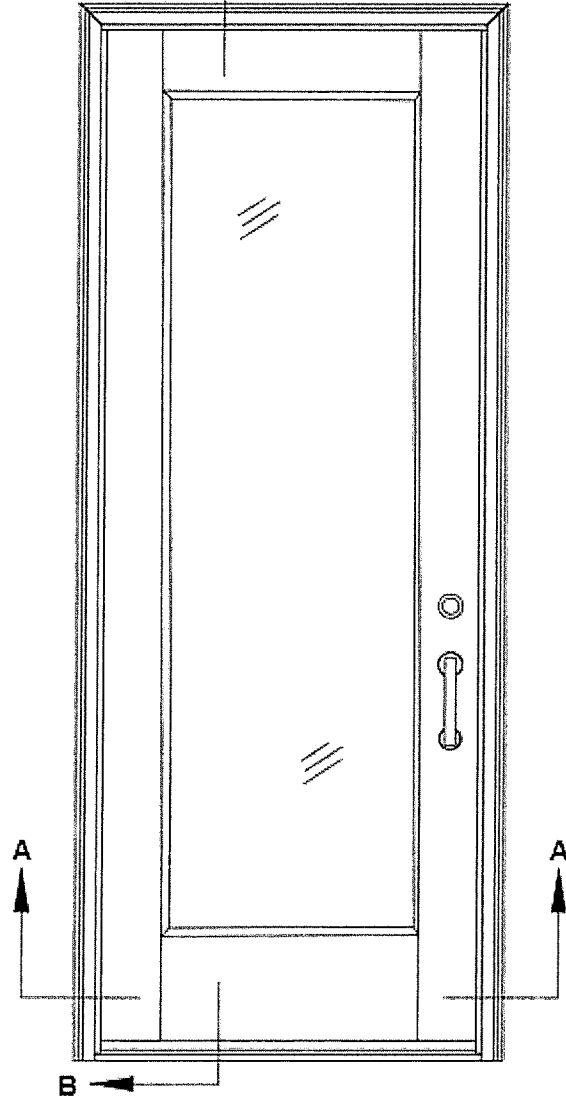
2.113

Smooth-Star Flush-Glazed



Architectural
Details

8/0 Single Door, Inswing B



Smooth-Star Shaker Flush-Glazed

Architectural
Details

6/8 Single Door, Inswing

