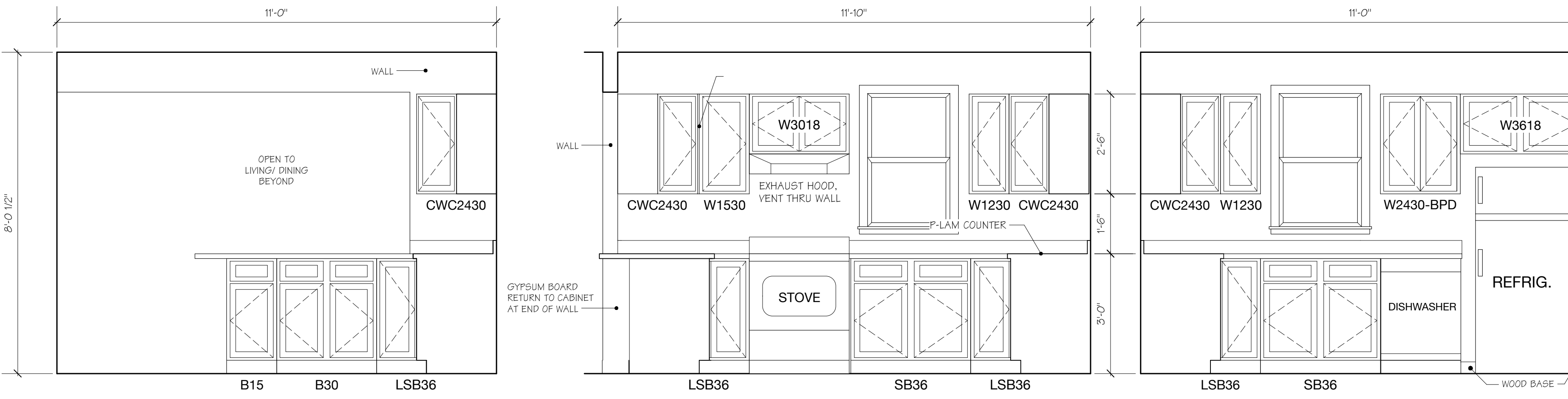


BATH: 205

BATH: 205

BATH: 205

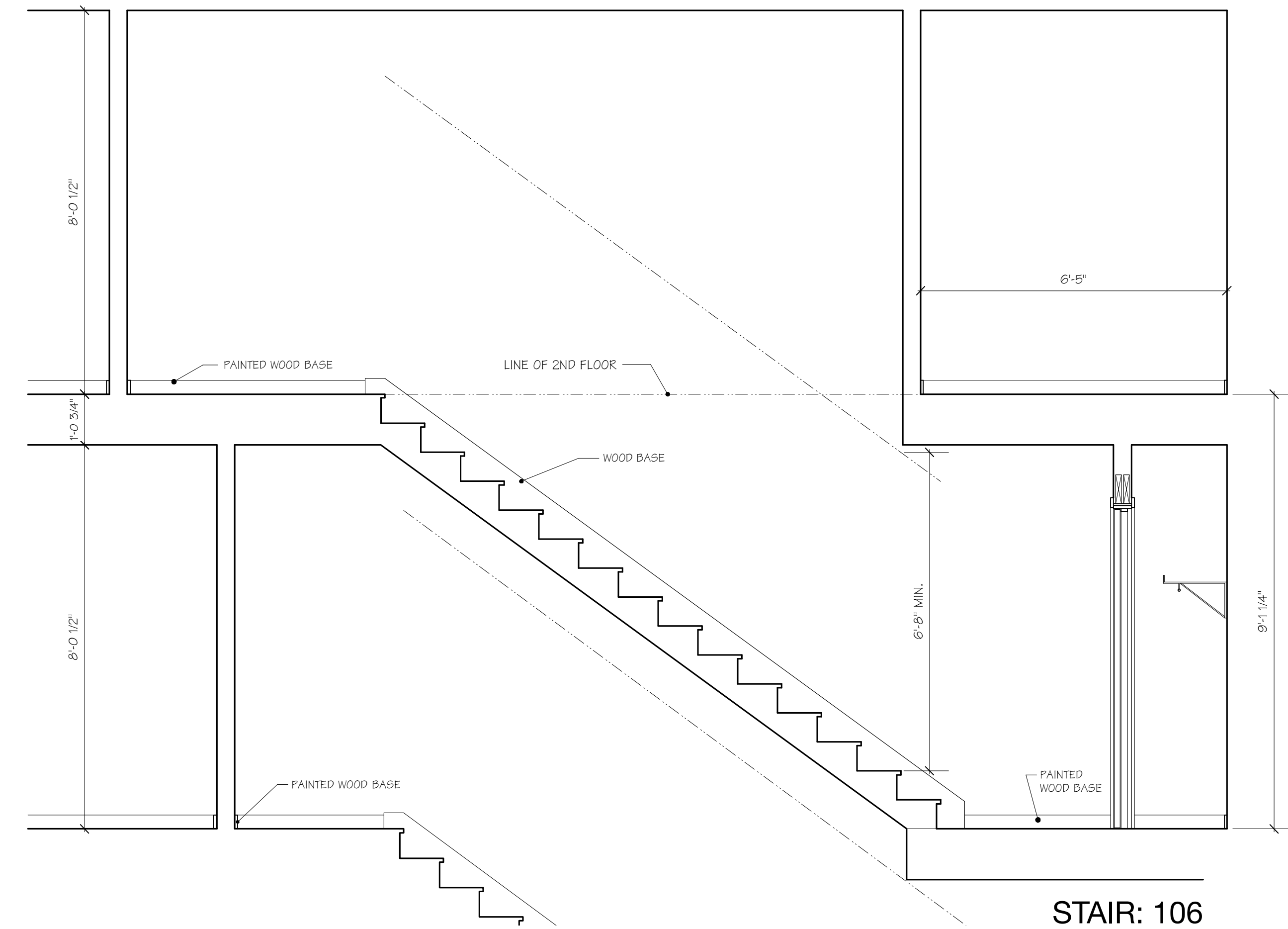
BATH: 205



KITCHEN: 102

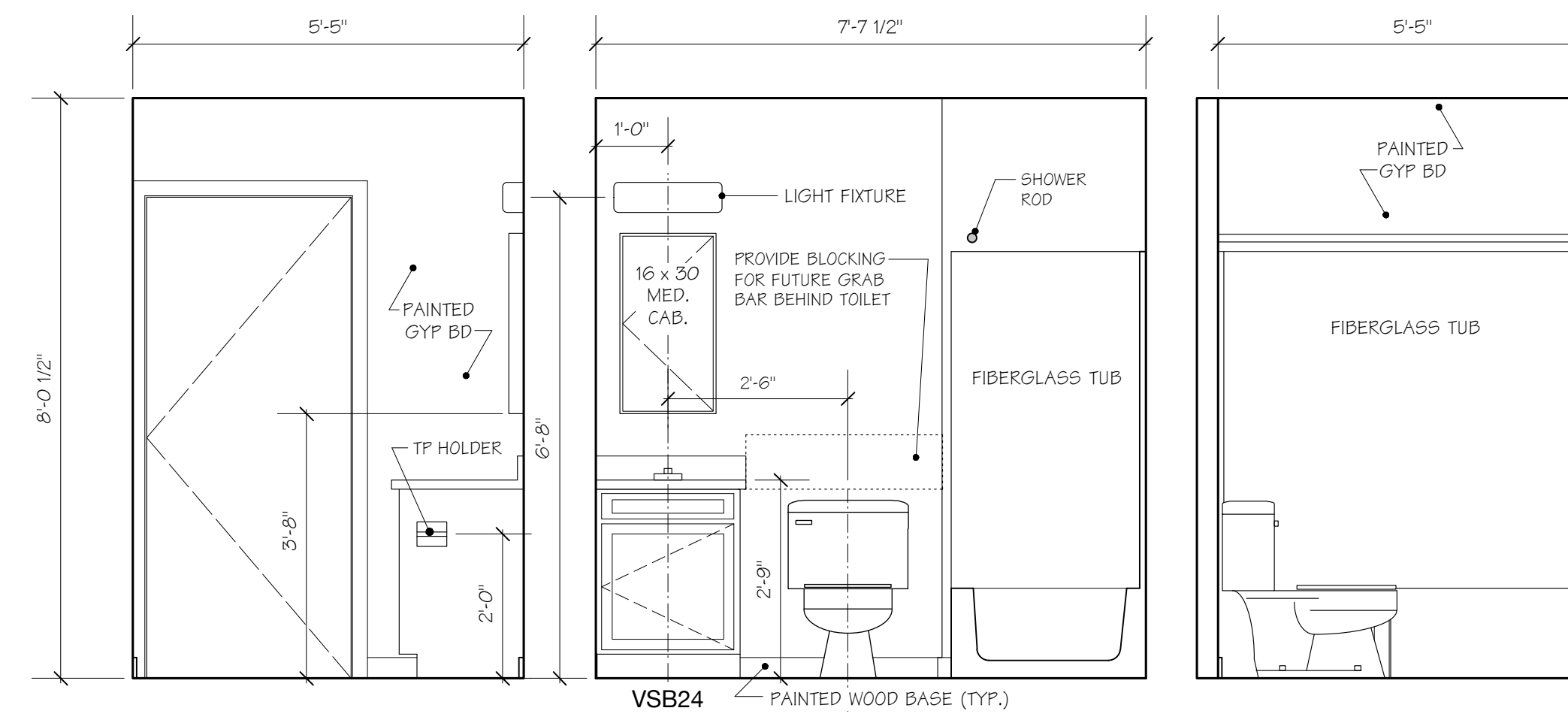
KITCHEN: 102

KITCHEN: 102



STAIR: 106

NOTES: SCALE OF INTERIOR ELEVATIONS ARE: 1/2" = 1'-0".
ALL DIMENSIONS ON THIS SHEET ARE FINISHED DIMENSIONS.
ALL WALL CABINETS ARE 12" DEEP UNLESS OTHERWISE NOTED.



BATH: 103

BATH: 103

BATH: 103

FINISH SCHEDULE

MARK	ROOM NAME	FLOOR	BASE	WALLS	CEILING	REMARKS
-	-	-	-	-	-	-
100	PORCH	PRESSURE TREATED DECKING	-	-	VINYL	-
101	LIVING/ DINING	CARPET	PTD WOOD	PTD GYPSUM BOARD	PTD GYPSUM BOARD	-
102	KITCHEN	SHEET VINYL	PTD WOOD	PTD GYPSUM BOARD	PTD GYPSUM BOARD	-
103	BATH	SHEET VINYL	PTD WOOD	PTD MR GYPSUM BOARD	PTD MR GYPSUM BOARD	-
104	MUD ROOM	SHEET VINYL	PTD WOOD	PTD GYPSUM BOARD	PTD GYPSUM BOARD	-
105	STAIR	CARPET	PTD WOOD	PTD GYPSUM BOARD	PTD GYPSUM BOARD	-
106	BACK PORCH	PRESSURE TREATED DECKING	-	-	VINYL	-
201	HALL	CARPET	PTD WOOD	PTD GYPSUM BOARD	PTD GYPSUM BOARD	-
202	BEDROOM 1	CARPET	PTD WOOD	PTD GYPSUM BOARD	PTD GYPSUM BOARD	-
203	BEDROOM 2	CARPET	PTD WOOD	PTD GYPSUM BOARD	PTD GYPSUM BOARD	-
204	BEDROOM 3	CARPET	PTD WOOD	PTD GYPSUM BOARD	PTD GYPSUM BOARD	-
205	BATH	SHEET VINYL	PTD WOOD	PTD MR GYPSUM BOARD	PTD MR GYPSUM BOARD	-
B01	STAIR	UNFINISHED WOOD	WOOD	PTD GYPSUM BOARD	PTD GYPSUM BOARD	-
B02	OPEN BASEMENT	SEALED CONCRETE	-	EXPOSED CONCRETE	OPEN FRAMING	-

FINISH SCHEDULE NOTES:

- PTD GYP BD IS PAINTED GYPSUM BOARD.
- PTD MR GYP BD IS PAINTED MOISTURE RESISTANT GYPSUM BOARD. BATH CEILINGS MAY BE FINISHED IN REGULAR GYPSUM BOARD ONLY IF ALKYD BASED EXTERIOR PRIMER IS USED INSTEAD OF INTERIOR LATEX BASED PRIMER.
- FT GYP BD IS FIBRE TAPE D GYPSUM BOARD, WHICH IS DEFINED AS ONE ADDITIONAL COAT OF COMPOUND AFTER EMBEDMENT OF PAPER TAPE.
- UNDERLAYMENT PLYWOOD IS REQUIRED UNDER ALL SHEET VINYL FINISH FLOORS, EXCEPT WHEN BEING PLACED ON CONCRETE SLAB.
- ALL CLOSETS SHALL BE FINISHED TO MATCH THE ROOMS THEY ADJOIN UNLESS OTHERWISE NOTED.
- PTD WOOD IS PAINTED WOOD

WINDOW SCHEDULE

MARK	DESCRIPTION/ ROUGH OPN'G (WxH)	R.O. HEAD HEIGHT	REMARKS
A	2346-2 (68 1/4" x 57 1/2")	Ø11 1/4", OR AS NOTED	FIELD INSTALLED EXTENSION JAMBS
B	24210 (30" x 37 1/2")	Ø11 1/4", OR AS NOTED	FIELD INSTALLED EXTENSION JAMBS
C	28410-2 (66 1/4" x 61 1/2")	Ø11 1/4"	FIELD INSTALLED EXTENSION JAMBS
D	31410 (38" x 61 1/2")	Ø11 1/4"	FIELD INSTALLED EXTENSION JAMBS
E	3046 (38" x 57 1/2")	UNDER SILL PLATE	PROVIDE P.T. BUCKS ON ALL SIDES - CAST IN FOUNDATION WALL. PROVIDE WITH DILCO SCAPEWELL.
-	-	-	-
-	-	-	-
-	-	-	-
-	-	-	-

WINDOW SCHEDULE NOTES:

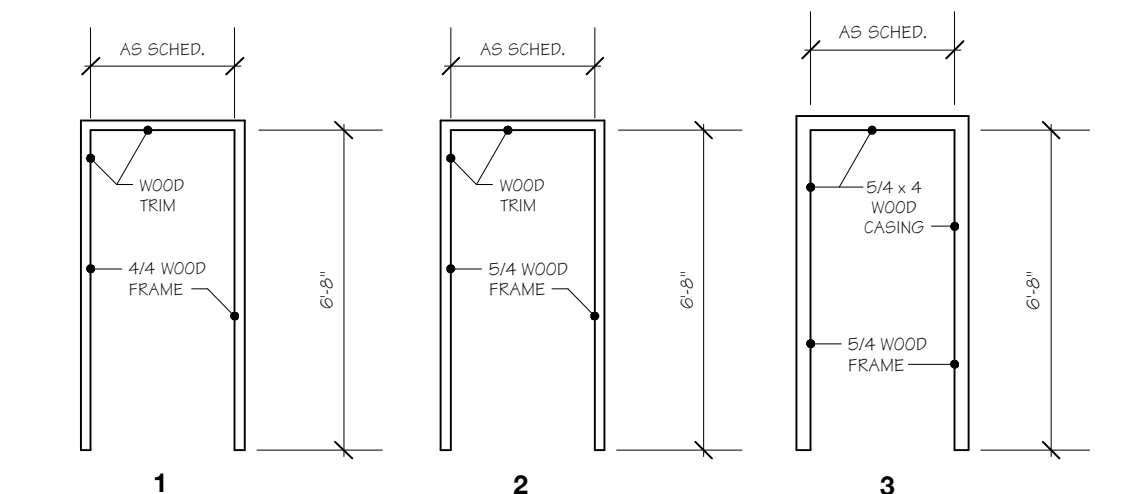
- ALL NEW WINDOW DESCRIPTIONS REFER TO HARVEY-CLASSIC DESIGNATIONS, UNLESS OTHERWISE NOTED.

DOOR SCHEDULE

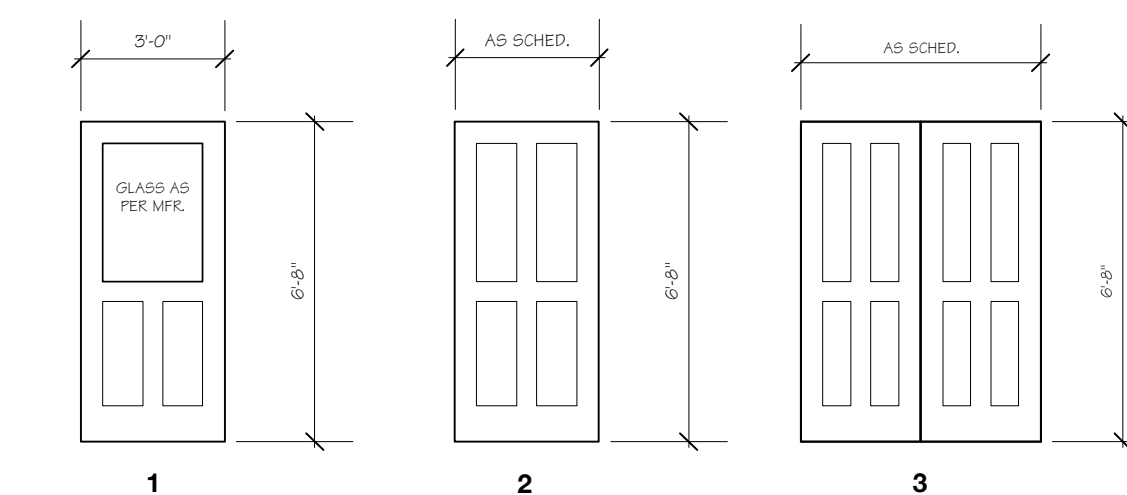
MARK	SIZE	DOOR ELEV	MATERIAL	FRAME ELEV	MATERIAL	DETAILS	HARDWARE	REMARKS
-	-	-	-	-	-	-	-	-
101	1 3/4"x3'-0"x6'-8"	1	INS. FIBERGLASS	2 INTR/ 3 EXTR	WOOD/ PVC EXTR	1 & 3	ENTRY	THERMA-TRU, SMOOTH STAR 9104. KEYPED TO MATCH 107.
102	1 3/8"x2'-10"x6'-8"	2	SC COMPOSITE	1	WOOD	6	PASSAGE	-
103	1 3/8"x2'-10"x6'-8"	2	SC COMPOSITE	1	WOOD	6	PRIVACY	-
104	NOT USED	-	-	-	-	-	-	-
105	2'-10"x6'-8" CASED OPNG	-	-	1	WOOD	6 SIM.	-	-
106	1 3/8"x2'-8"x6'-8"	2	SC COMPOSITE	1	WOOD	6	PASSAGE	-
107	1 3/4"x3'-0"x6'-8"	1	INS. FIBERGLASS	2 INTR/ 3 EXTR	WOOD/ PVC EXTR	1 & 3	ENTRY	THERMA-TRU, SMOOTH STAR 9104. KEYPED TO MATCH 101
201	1 3/8"x2'-6"x6'-8"	2	SC COMPOSITE	1	WOOD	6	PASSAGE	-
202	1 3/8"x2'-4"x6'-8" (PAIR)	3	SC COMPOSITE	1	WOOD	6	PULL	PROVIDE MAGNETIC CATCH.
203	1 3/8"x2'-6"x6'-8"	2	SC COMPOSITE	1	WOOD	6	PASSAGE	-
204	1 3/8"x2'-6"x6'-8"	2	SC COMPOSITE	1	WOOD	6	PASSAGE	-
205	NOT USED	-	-	-	-	-	-	-
206	1 3/8"x2'-6"x6'-8"	2	SC COMPOSITE	1	WOOD	6	PASSAGE	-
207	1 3/8"x2'-6"x6'-8"	2	SC COMPOSITE	1	WOOD	6	PASSAGE	-
208	1 3/8"x2'-6"x6'-8"	2	SC COMPOSITE	1	WOOD	5 & 6	PRIVACY	-
-	-	-	-	-	-	-	-	-
-	-	-	-	-	-	-	-	-

DOOR SCHEDULE NOTES:

- ALL INTERIOR DOORS ARE TO HAVE 1 1/16" x 2 1/2" CONTEMPORARY CASING.
- REFER TO DOOR DETAILS ON SHEET A5.



FRAME ELEVATIONS (REFER TO DOOR SCHEDULE/ SPECIFICATIONS FOR MATERIALS)
1/4"=1'0"



DOOR ELEVATIONS (REFER TO DOOR SCHEDULE/ SPECIFICATIONS FOR MATERIALS)
1/4"=1'0"

HABITAT for HUMANITY - 225 ELMWOOD AVENUE

BURLINGTON, VERMONT

COPYRIGHT © 2020 ALL RIGHTS RESERVED
DUNCAN • WISNIEWSKI ARCHITECTURE
A Professional Corporation

PROGRESS PRINT

Duncan
Wisniewski
ARCHITECTURE

255 SOUTH CHAMPLAIN STREET
BURLINGTON, VERMONT 05401
T: 802.864.6693

DATE: 06.08.2020
DRAWN: PJC

A5-1.0