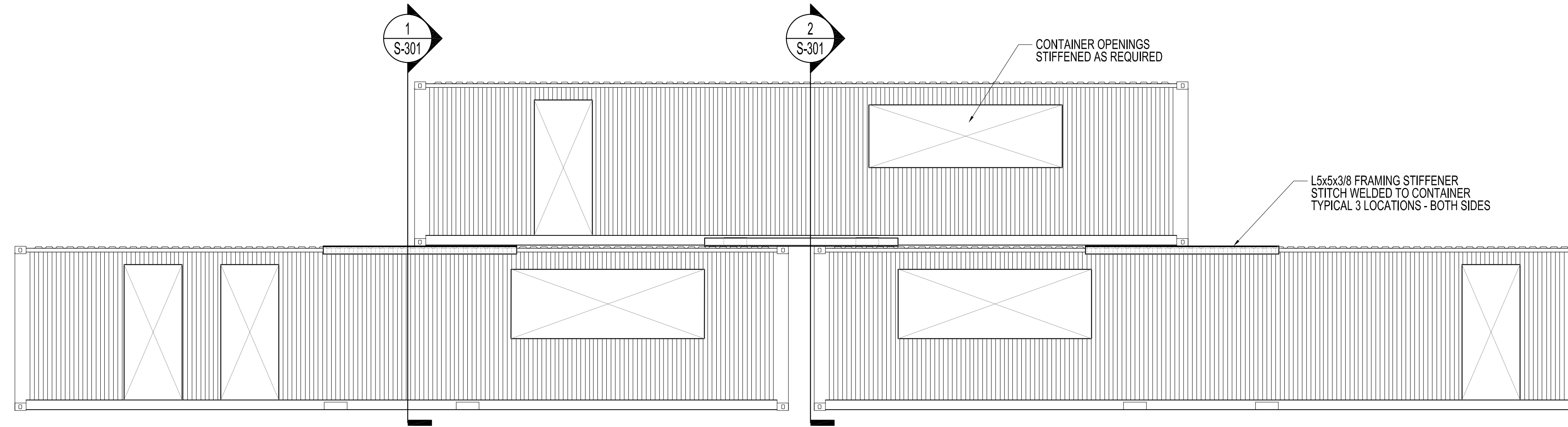


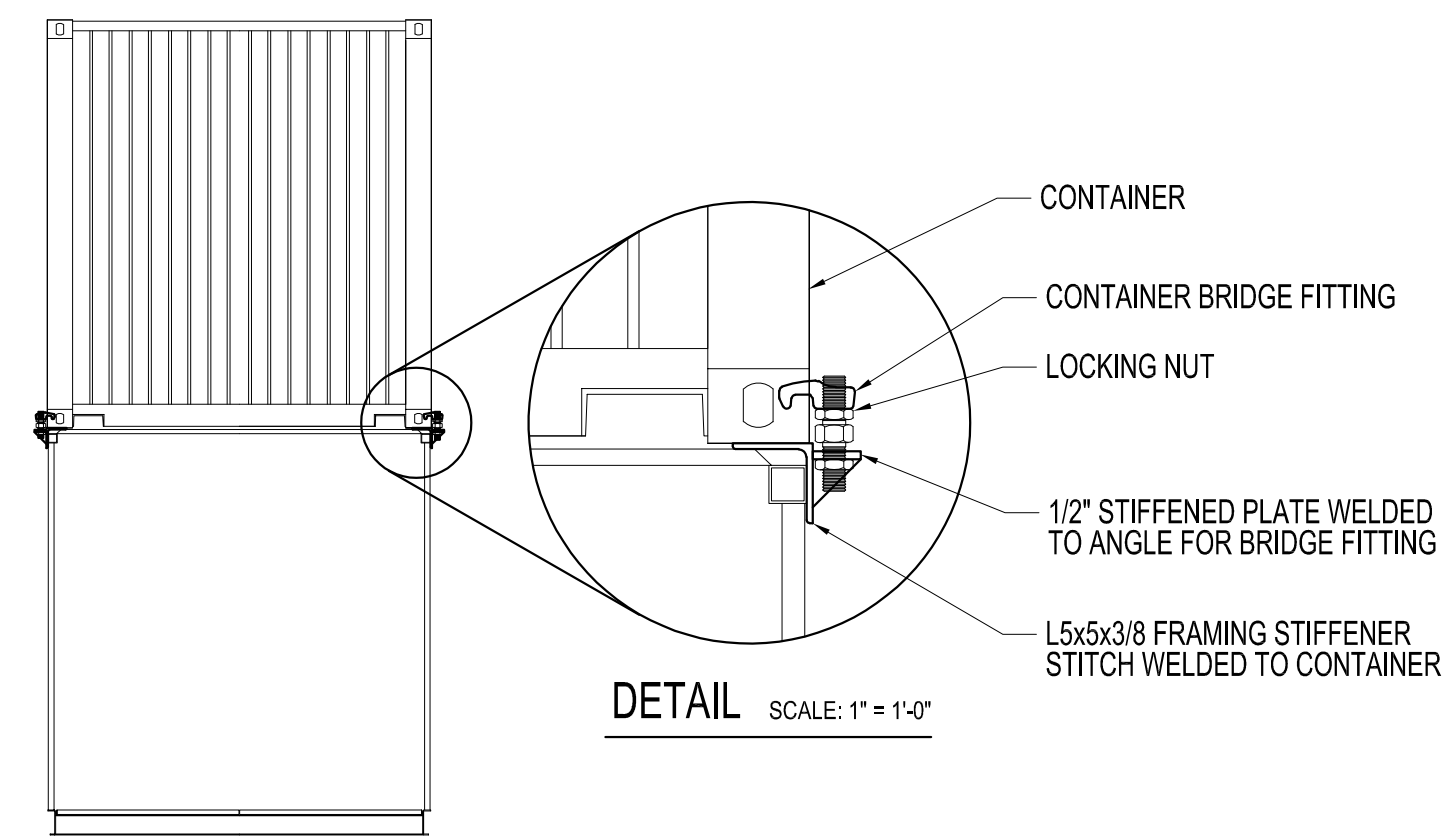
CONTAINER END ELEVATION

SCALE: 1/4" = 1'-0"



CONTAINER FRONT ELEVATION

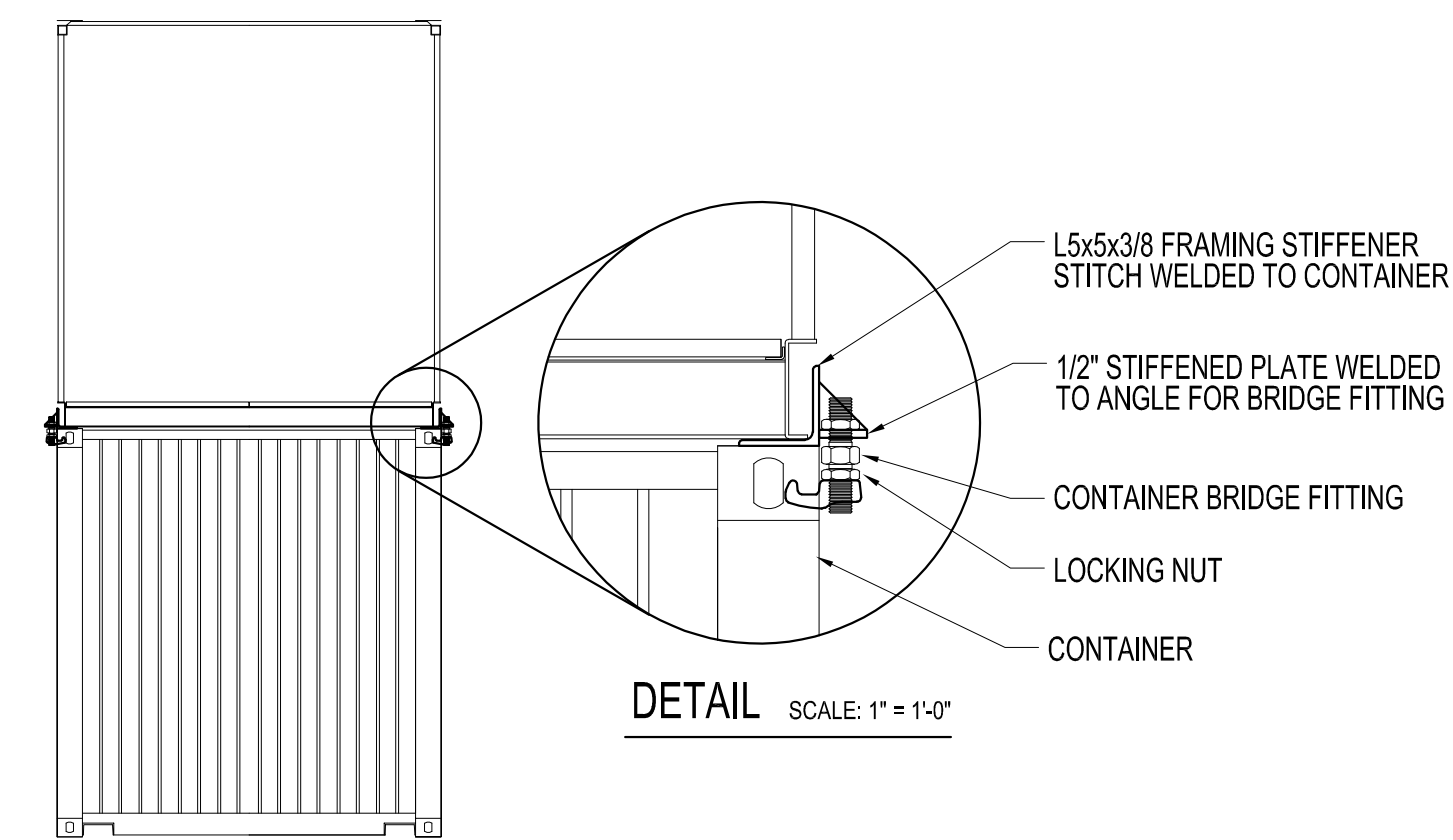
SCALE: 1/4" = 1'-0"



1
S-301

STACKED CONTAINER SECTION

SCALE: 1/4" = 1'-0"



2
S-301

STACKED CONTAINER SECTION

SCALE: 1/4" = 1'-0"

rev#	date	description

customer
TIM WILLIAMS
 BURLINGTON, VT

project
501 PINE STREET FOOD COURT
 501 PINE STREET
 BURLINGTON, VT

job no. SP-1146
 date 4-14-22
 dwn. by JPL
 ckd. by JMR
 scale AS NOTED

sheet
S-301
 CONTAINER UNIT CONNECTION
 revision # -