

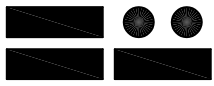
NOTES:

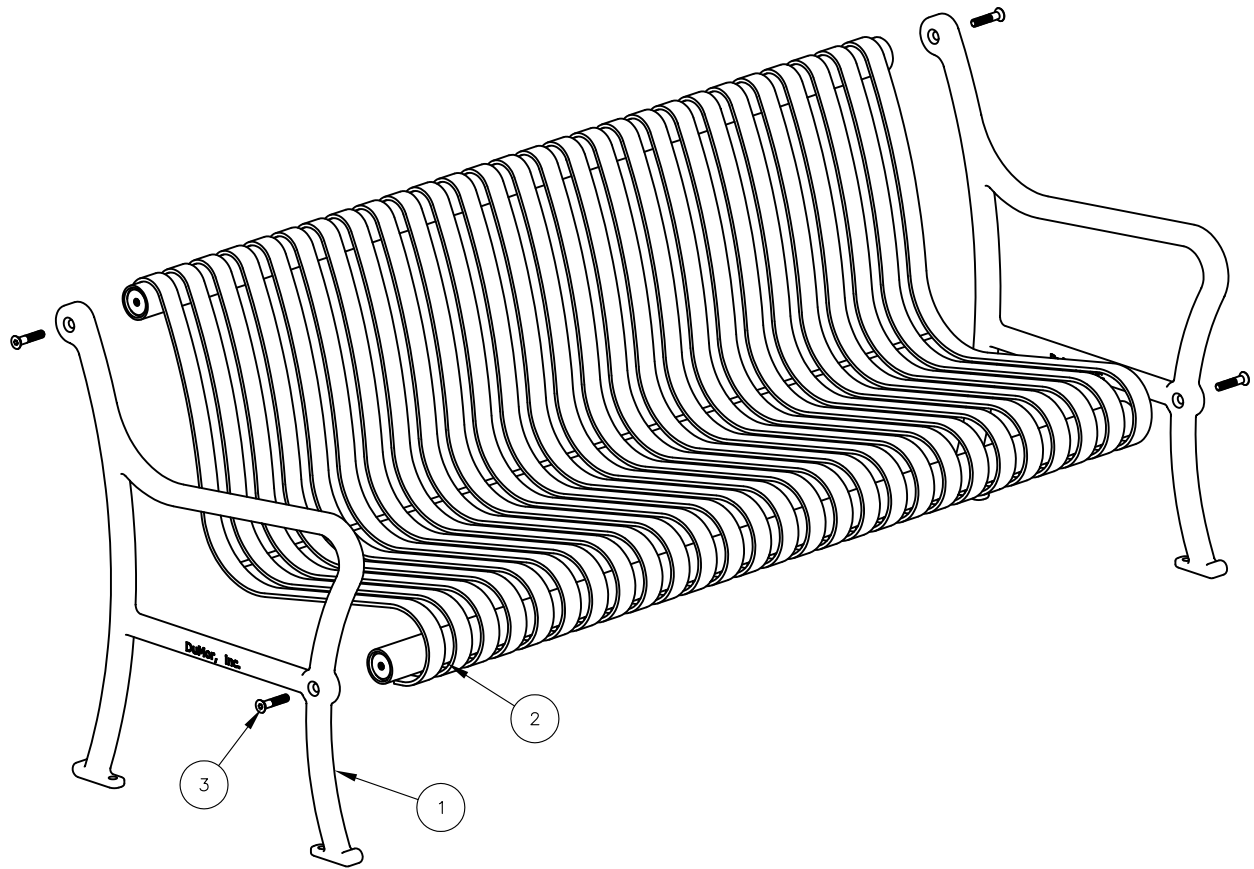
- 1.) ALL STL. MEMBERS COATED W/ ZINC RICH EPOXY THEN FINISHED W/ POLYESTER POWDER COATING.
- 2.) 1/2" X 3 3/4" EXPANSION ANCHOR BOLTS PROVIDED
- 3.) BENCH IS SHIPPED UNASSEMBLED.

Color: Black

LENGTH OPTIONS

- 6' BENCH
- 8' BENCH

 DuMor, inc. P.O. Box 142 Mifflintown, PA 17059-0142	SCALE :	NONE	TITLE :		BENCH	
	DATE DRAWN :	3/22/94	DRAWN BY :	AH	REV.	DRAWING NUMBER
	DATE REV. :	5/7/08	REV.	G	93 SERIES	
	REV. BY :	AH			DRAWING NUMBER	93 SERIES
						SHEET
						1 OF 2



NOTE:

- 1.) DURING ASSEMBLY PROCEDURE;
DO NOT COMPLETELY TIGHTEN HARDWARE.
- 2.) THE ACTUAL PARTS WILL NOT BE NUMBERED:
NUMBERS ONLY APPLY TO DRAWING.

STEP 1:

USE 2 - PCS. CAST SUPPORT (1)
 1 - PC. 6' ALL STL SEAT ASSEMBLY (2)
 4 - PCS. 1/2" X 2 1/2" FLT. SKT. HD. CAP SCR. (3)
 ATTACH CAST SUPPORT (1) TO 6' ALL STL SEAT ASSEMBLY
 (2) USING HARDWARE (3). TIGHTEN TO SNUG FIT.

STEP 2:

UPON COMPLETION OF BENCH ASSEMBLY SQUARE ALL
 COMPONENTS THEN TIGHTEN ALL HARDWARE.

STEP 3:

MOUNT AND ANCHOR AS SPECIFIED.

ITEM	QTY	PART NO	DESCRIPTION
1	2	0-93-00-02	CAST IRON BENCH SUPPORT
2	1	0-93-60	6' STL SEAT ASSEMBLY
3	4	1-12-065	1/2" X 2 1/2" FLT SKT HD CAP SCR



DuMor, inc.
 P.O. Box 142 Mifflintown, PA 17059-0142

SCALE : NONE
 DATE DRAWN : 3/22/94
 DRAWN BY : AWH
 DATE REV. : 5/7/08
 REV. BY : AH

TITLE : BENCH ASSEMBLY

REV. G
 DRAWING NUMBER 93 SERIES

SHEET 2 OF 2