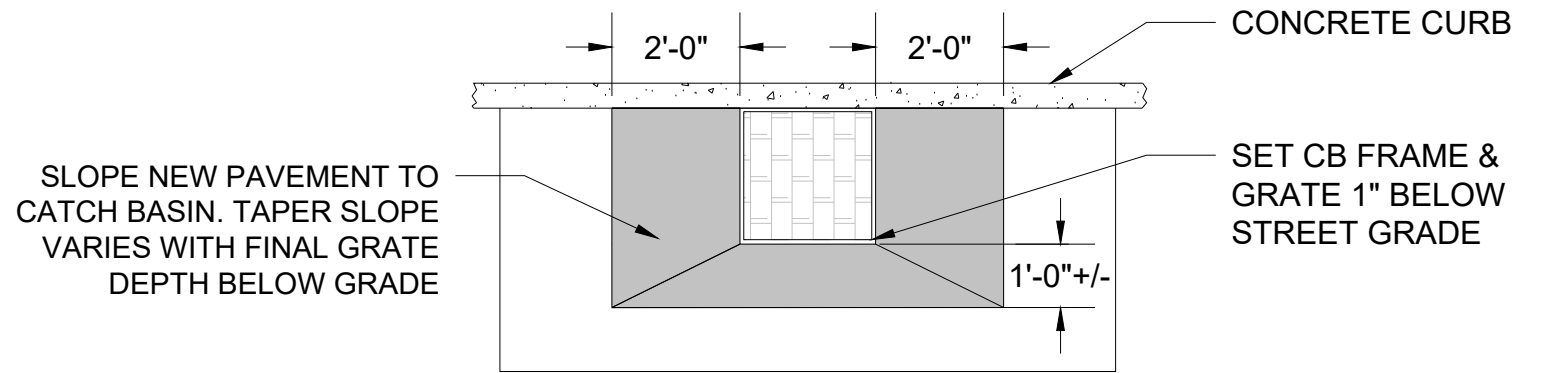
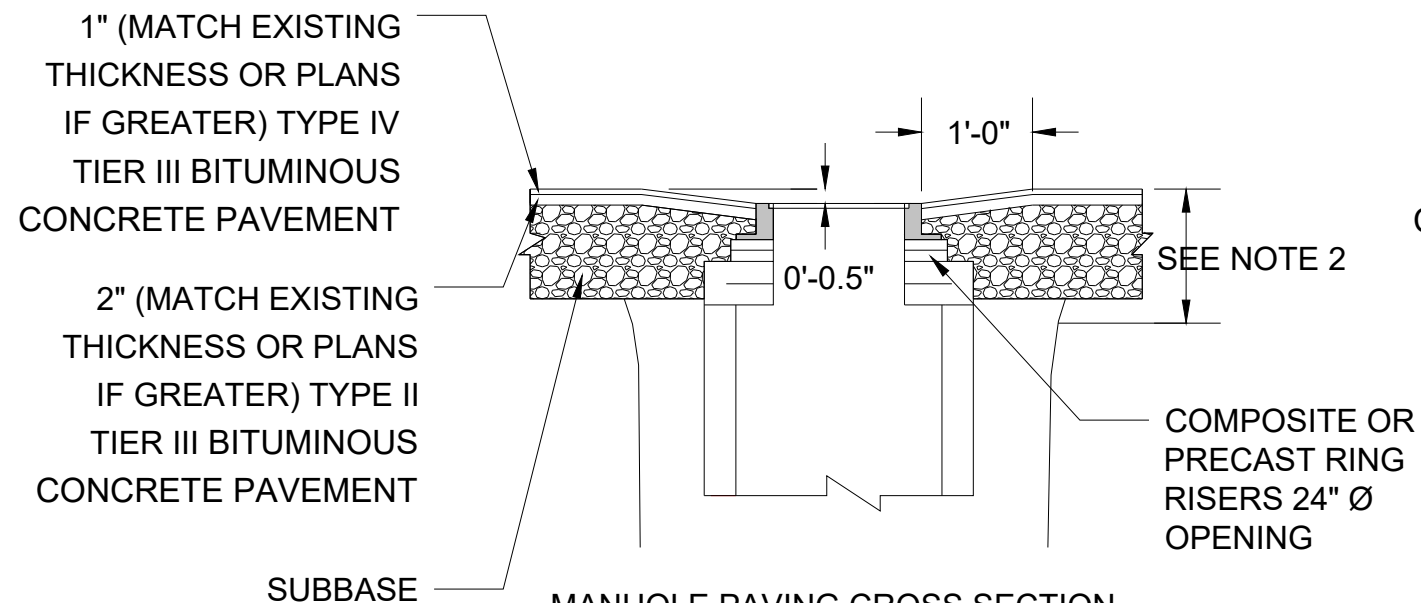


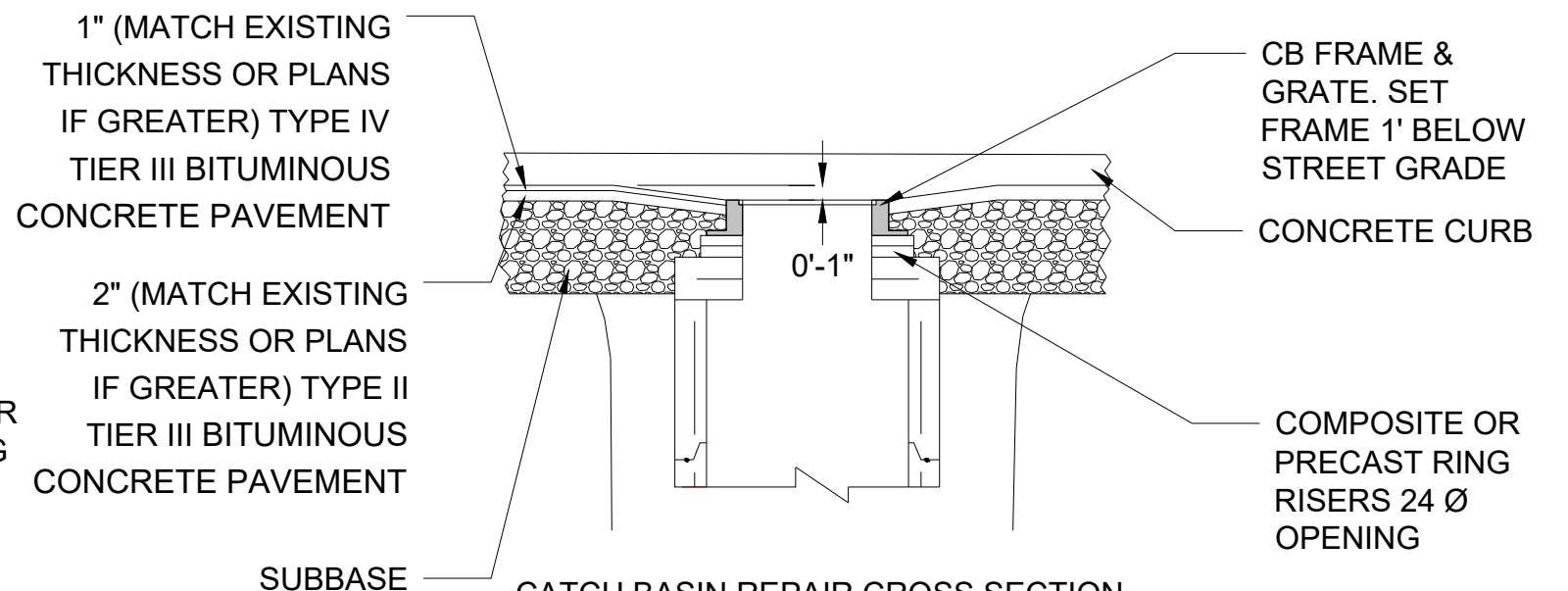
MANHOLE PAVING PLAN VIEW  
NOT TO SCALE



CATCH BASIN PAVING PLAN VIEW  
NOT TO SCALE



MANHOLE PAVING CROSS SECTION  
NOT TO SCALE



CATCH BASIN REPAIR CROSS SECTION  
NOT TO SCALE

NOTES:

1. FOR RECLAIMED STREETS, STRUCTURE SHALL BE LOWERED A MINIMUM OF 1.5" BELOW TOP OF EXISTING BITUMINOUS CONCRETE PAVEMENT.
2. SEE CITY OF BURLINGTON STANDARD D-3 FOR TYPICAL CATCH BASIN DETAIL.

NOT TO SCALE

PAVING DETAILS FOR  
MANHOLES AND CATCH  
BASINS



**BURLINGTON  
PUBLIC WORKS  
ENGINEERING DIV.**

645 PINE STREET  
BURLINGTON, VT 05401  
(802) 863-9094  
(802) 863-0466 (Fax)

DESIGNED INTERN	SCALE NTS
DRAWN INTERN	DRAWING NO.
CHECKED MS	A-3-BURL
DATE 10/20/2023	